

NAME OF LEARNER:
NAAM VAN LEERDER:

CLASS:
KLAS:

**NATIONAL SENIOR CERTIFICATE
*NASIONALE SENIOR SERTIFIKAAT***

MATHEMATICS P2/*WISKUNDE V2*

GRADE/*GRAAD* 10


NOVEMBER 2017

**SPECIAL ANSWER BOOK
*SPESIALE ANTWOORDEBOEK***

QUESTION <i>VRAAG</i>	MARK <i>PUNT</i>			INITIAL <i>PARAAF</i>	MODERATION <i>MODERERING</i>			INITIAL <i>PARAAF</i>
1								
2								
3								
4								
5								
6								
7								
8								
9								
TOTAL <i>TOTAAL</i> (100)								

**This answer book consists of 15 pages.
*Hierdie antwoordeboek bestaan uit 15 bladsye.***

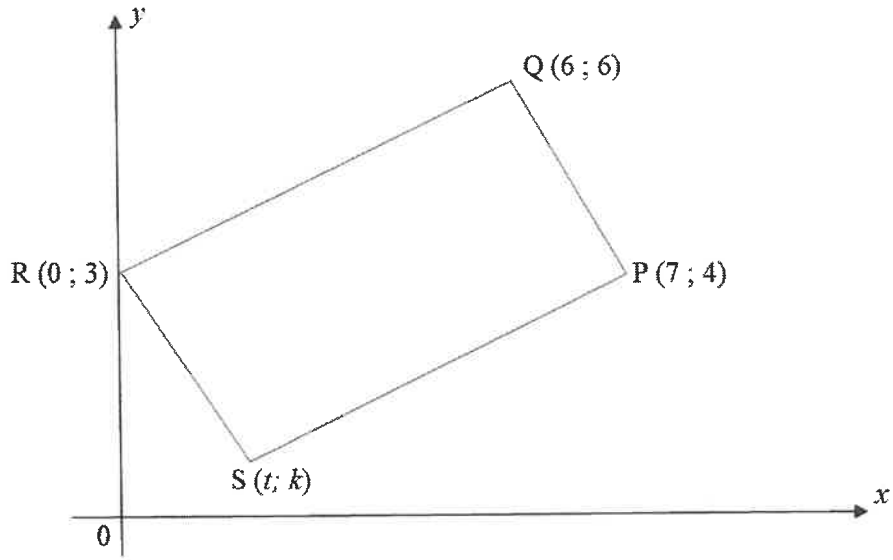
QUESTION/VRAAG 1

	Solution/Oplissing	Marks Punte
1.1		(2)
1.2		(2)
1.3		(3)
1.4		(3)
		
		[10]

QUESTION/VRAAG 2

	Solution/Oplissing	Marks Punte
2.1		(1)
2.2		(1)
2.3		(3)
2.4		(2)
		[7]

QUESTION/VRAAG 3



	Solution/Oplissing	Marks Punte
3.1		(2)
3.2		(3)
3.3		(2)

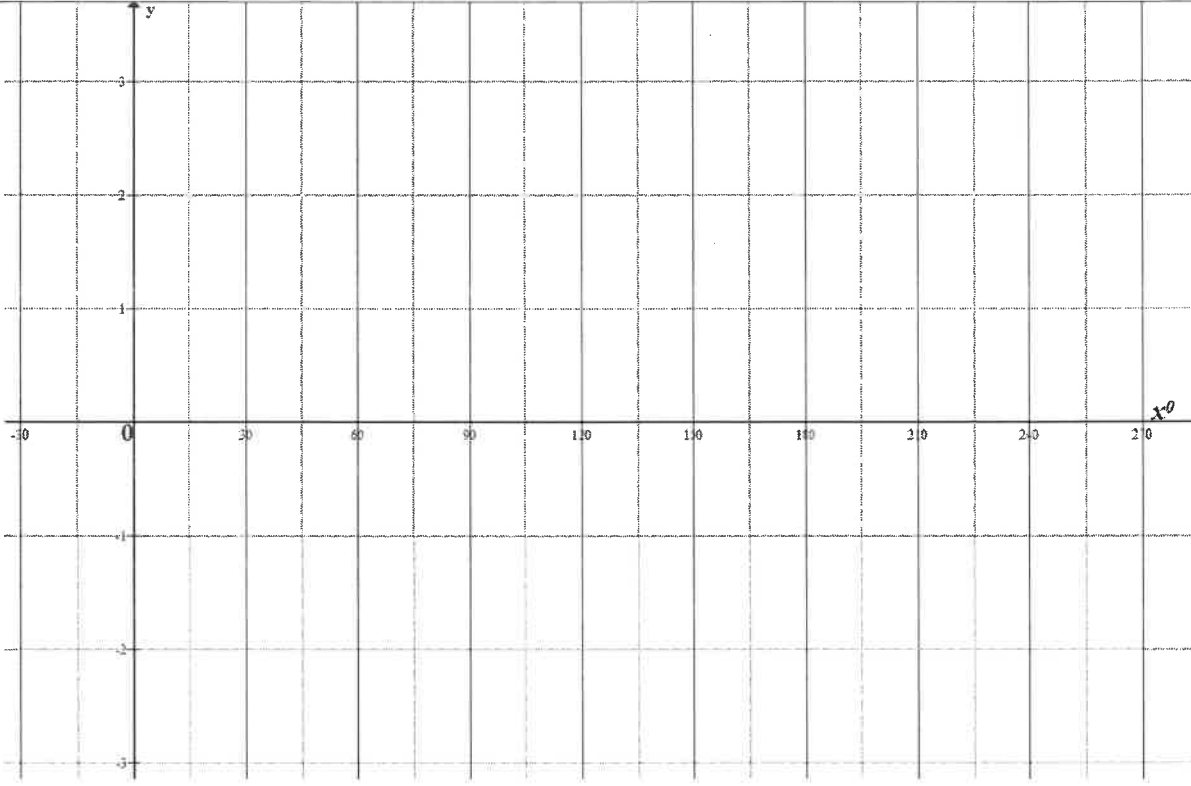
3.4		(4)
3.5		(2)
3.6		(3)
		[16]

QUESTION/VRAAG 4

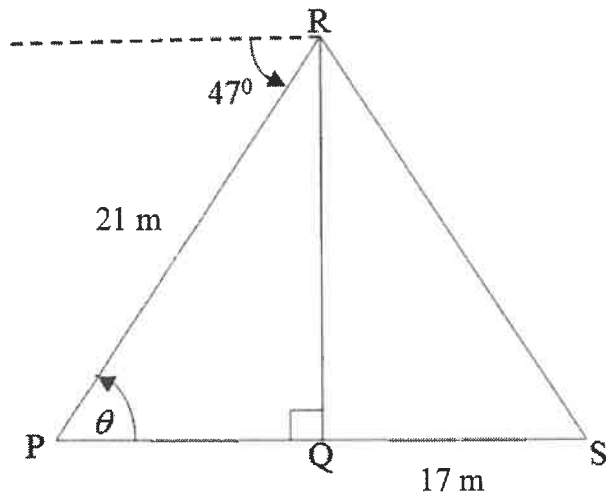
	Solution/Oplissing	Marks Punte
4.1.1(a)		(4)
4.1.1(b)		(4)
4.1.2		(3)

4.2		(3)
4.3		(2)
		[16]

QUESTION/VRAAG 5

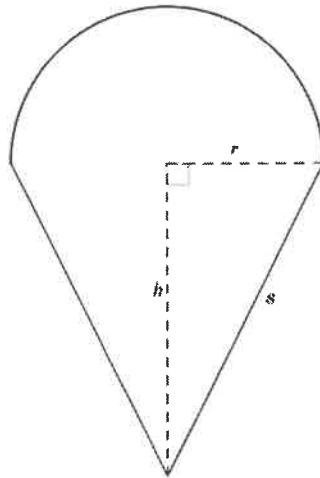
<p>5.1</p>		<p>(6)</p>
<p>5.2.1</p>		<p>(1)</p>
<p>5.2.2</p>		<p>(2)</p>
<p>5.3.1</p>		<p>(1)</p>
<p>5.3.2</p>		<p>(3)</p>
		<p>[13]</p>

QUESTION/VRAAG 6



	Solution/Oplissing	Marks Punte
6.1		(1)
6.2		(3)
6.3		(2)
6.4		(4)
		[10]

QUESTION/VRAAG 7

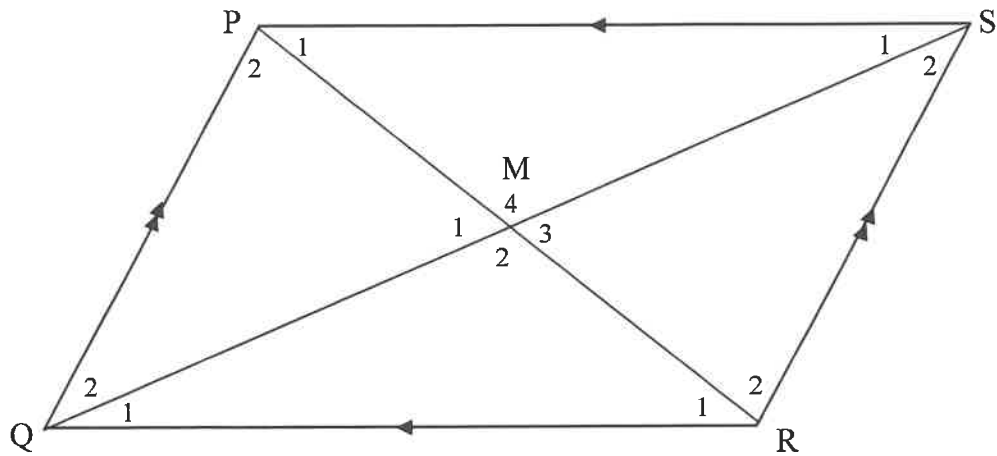


	Solution/Oplissing	Marks Punte
7.1		
		(2)
7.2		
		(2)
7.3		
		(2)
		[6]

QUESTION/VRAAG 8

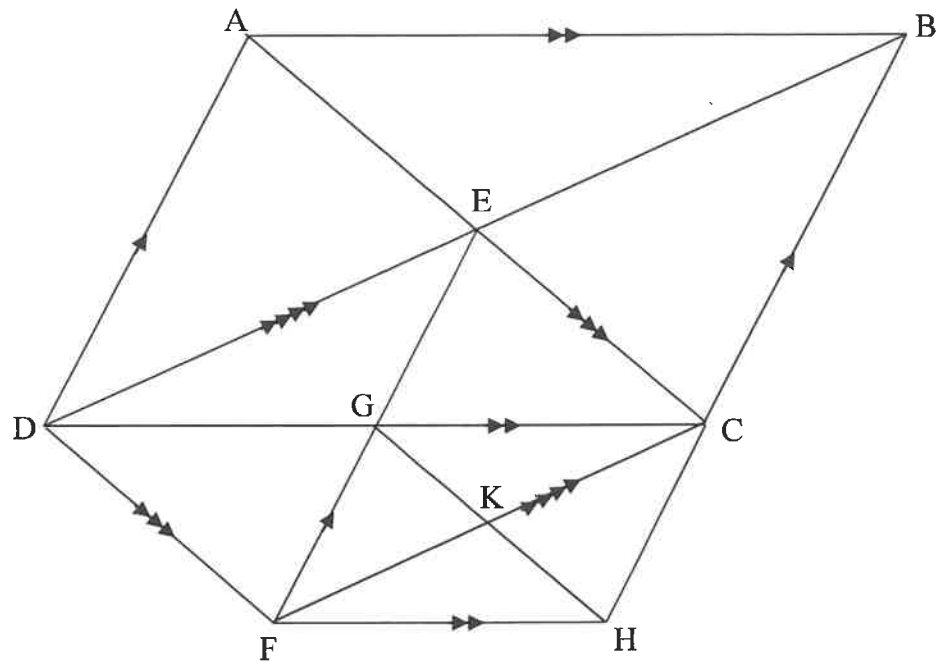
	Solution/Oplissing	Marks Punte
8.1		
8.1.1		
		(1)
8.1.2		
		(2)
8.1.3		
		(2)

8.2



(4)

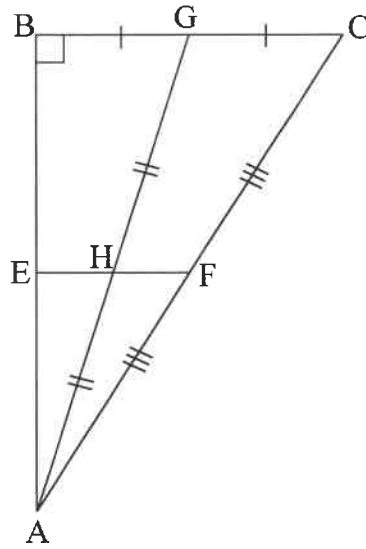
8.3



(4)

[13]

QUESTION/VRAAG 9



9.1		(3)
9.2		(3)
9.3		(3)
		[9]

