



basic education

Department:
Basic Education
REPUBLIC OF SOUTH AFRICA

**NATIONAL
SENIOR CERTIFICATE**

GRADE 12

ENGINEERING GRAPHICS AND DESIGN P1

FEBRUARY/MARCH 2011

MEMORANDUM

MARKS: 100

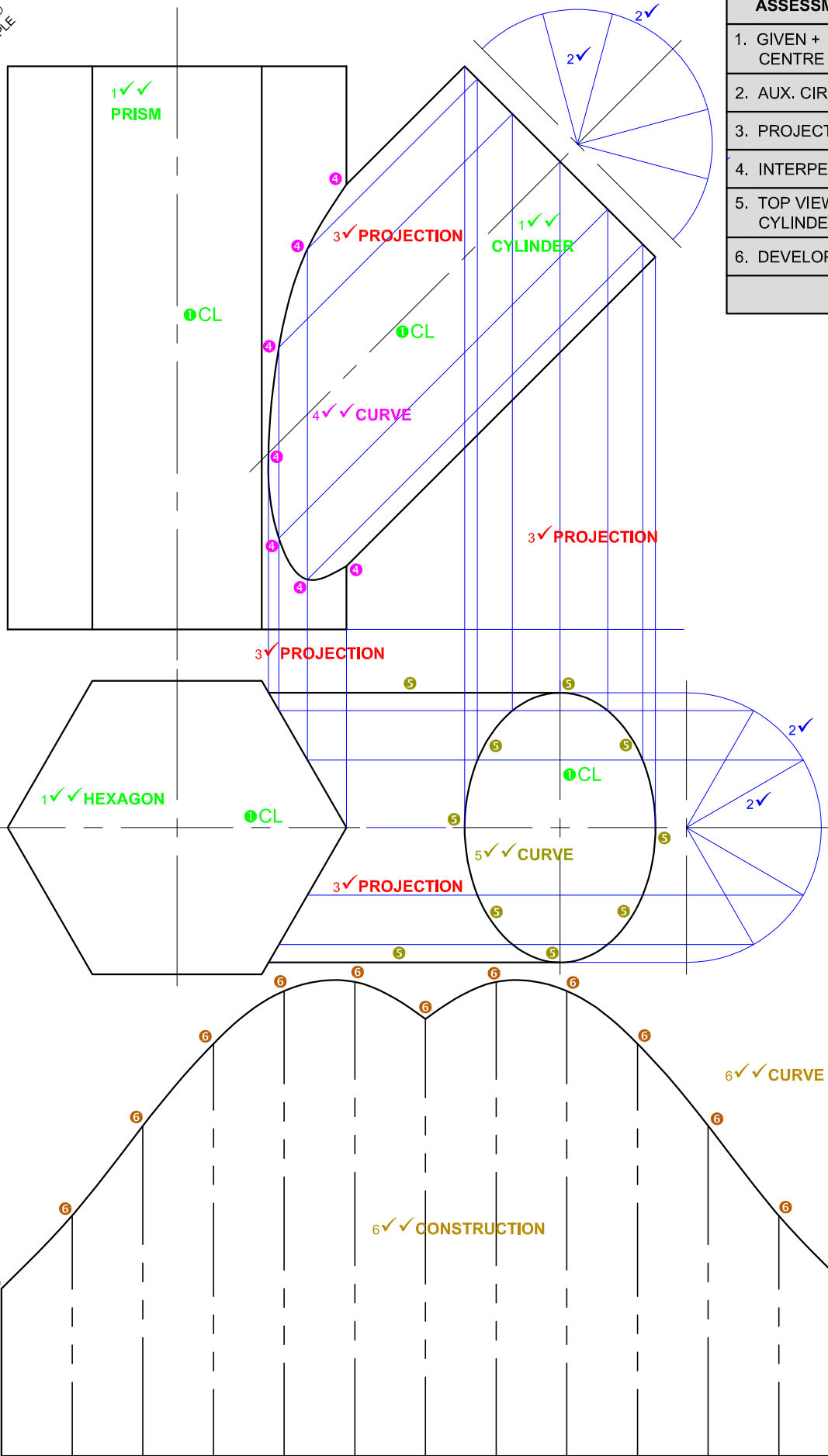
This memorandum consists of 5 pages.



ANSWERS

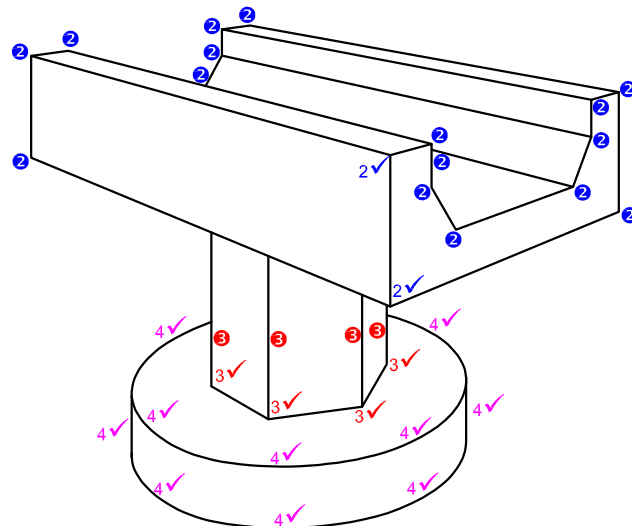
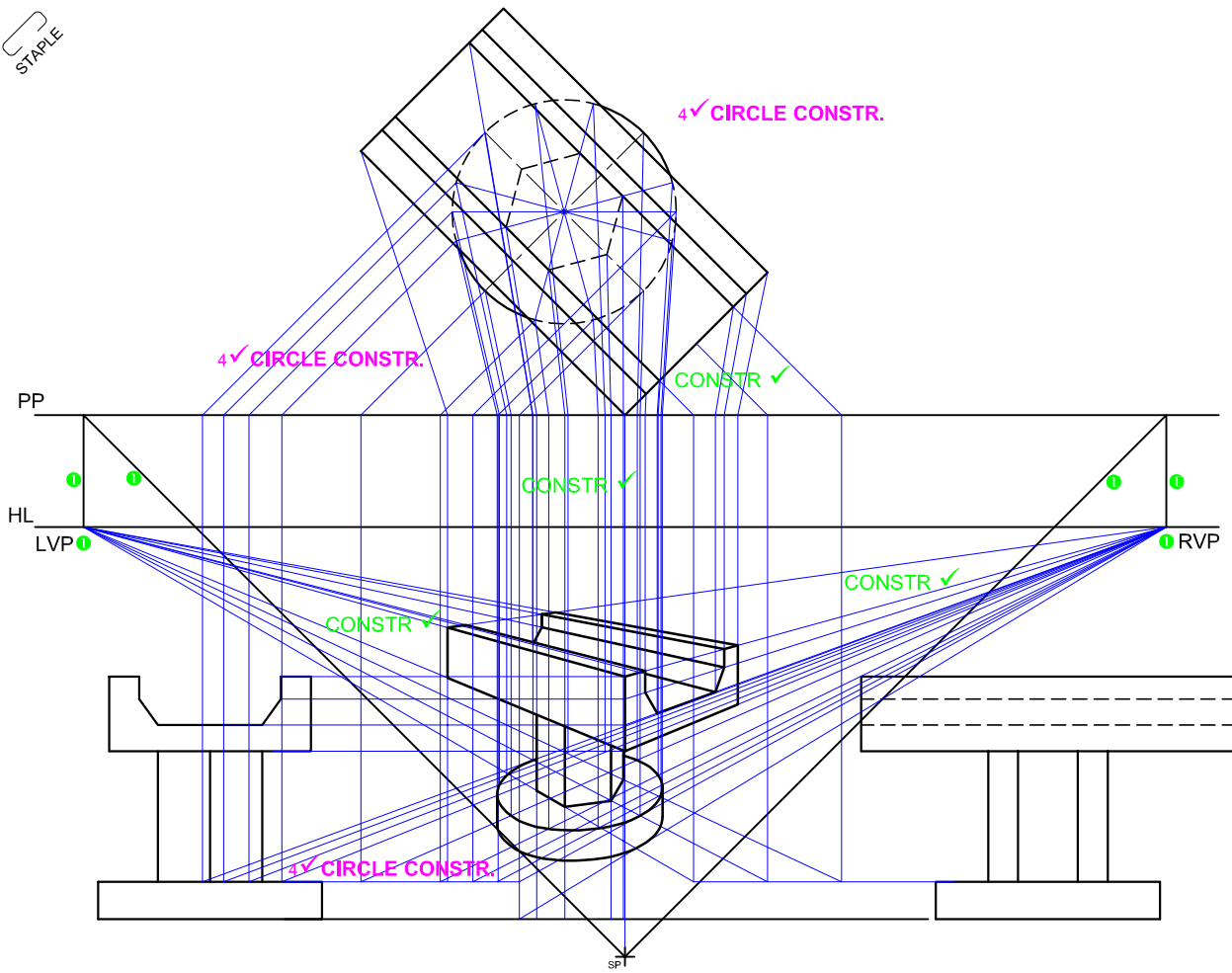
1	THE OUTBUILDING IS OUTSIDE THE BUILDING LINE OR THE <u>OUTBUILDING ROOF IS OVER THE BOUNDARY LINE.</u>	2
2	79	1
3	1	1
4	SCALE 1 : 200	1
5	12-04-2010	1
6	KAYSERS BEACH	1
7	MARLIN DRIVE	1
8	2	1
9	14	1
10	INSPECTION EYE	1
11	MANHOLE	1
12	BUILDING LINE	1
13	MUNICIPAL SEWER LINE	1
14	CONTOUR LINE	1
15	ROOF OVERHANG	1
16	BOUNDARY LINE	1
17	ISLAND IN THE ROAD	1
18	0.5 m	1
19	SOUTH	1
20	$37.806 + 24.200 + 10.615 + 30.300 + 31.706 \text{ ①} = 134.627 \checkmark \text{m} \checkmark$	$2\frac{1}{2}$
21	$37.806 \times 31.706 = 1198.67704 \text{ ①}$ $37.806 - 30.3 = 7.506 \text{ ①}$ $7.506 \times 7.506 = 56.340036 \text{ ①}$ $56.340036 / 2 = 28.170018 \text{ ①}$ $1198.67704 - 28.170018 \text{ ①} = 1170.5 \checkmark \text{m}^2 \checkmark$	$4\frac{1}{2}$

TOTAL: 27



ASSESSMENT CRITERIA	
1. GIVEN + CENTRE LINES	8
2. AUX. CIRCLES	4
3. PROJECTION	4
4. INTERPENETRATION	5½
5. TOP VIEW OF CYLINDER	7
6. DEVELOPMENT	11½
TOTAL	40

PAPER 1 QUESTION 2
 GRADE 12
 FEBRUARY/MARCH 2011
 MEMORANDUM

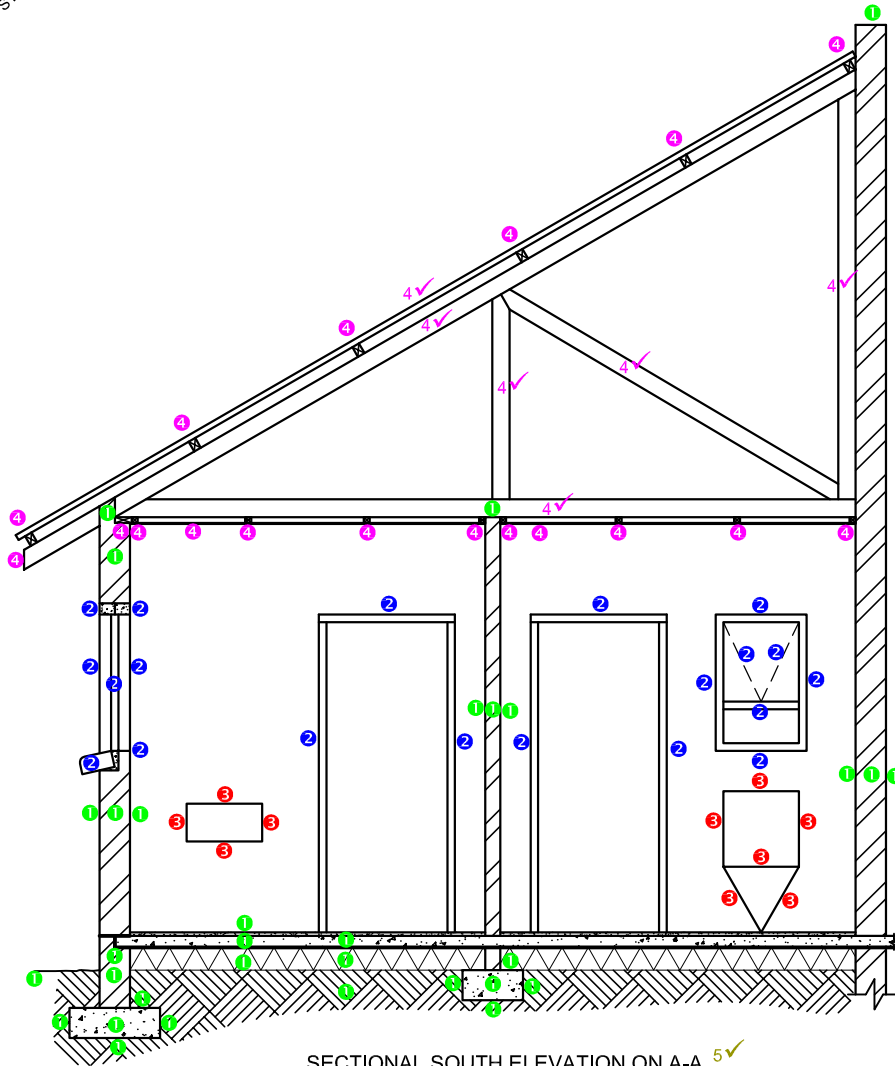


ASSESSMENT CRITERIA	
1. CONSTRUCTION + VPs	7
2. ROAD	10
3. HEXAGONAL PILLAR	6
4. ROUND BASE	13
TOTAL	36



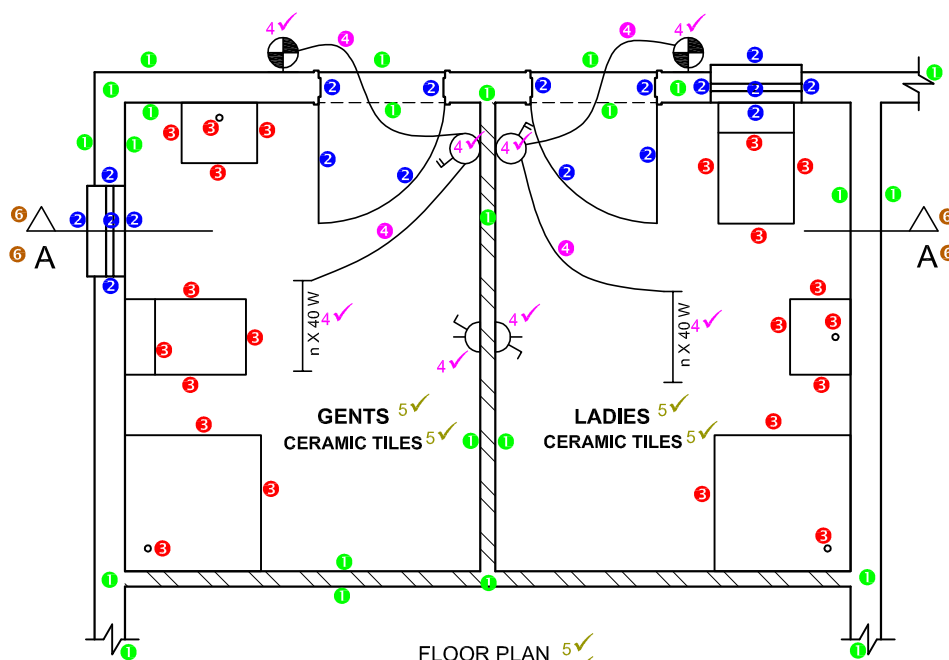
PAPER 1 QUESTION 3
 GRADE 12
 FEBRUARY/MARCH 2011
 MEMORANDUM

STAPLE



SECTIONAL SOUTH ELEVATION ON A-A 5✓

SECTIONAL SOUTH ELEVATION	
1. WALLS + HATCHING	16
2. WINDOWS + DOORS	10
3. FIXTURES	5
4. ROOF + CEILING	15
5. LABELS	1
SUBTOTAL	47



FLOOR PLAN SCALE 1 : 50 5✓

PLAN	
1. WALLS + HATCHING	12
2. WINDOWS + DOORS	9
3. FIXTURES	11
4. ELECTRIC	10
5. LABELS	6
6. CUTTING PLANE A-A	2
SUBTOTAL	50
TOTAL	97

PAPER 1 QUESTION 4
 GRADE 12
 FEBRUARY/MARCH 2011
 MEMORANDUM