



basic education

Department:
Basic Education
REPUBLIC OF SOUTH AFRICA

**NATIONAL
SENIOR CERTIFICATE**

GRADE 12

ENGINEERING GRAPHICS AND DESIGN P1

EXEMPLAR 2014

MEMORANDUM

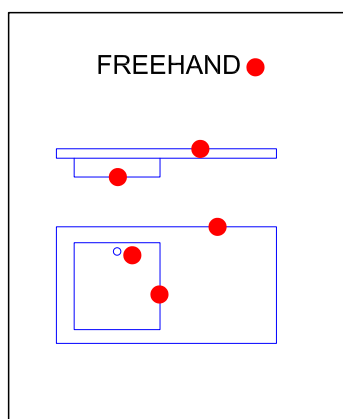
MARKS: 100

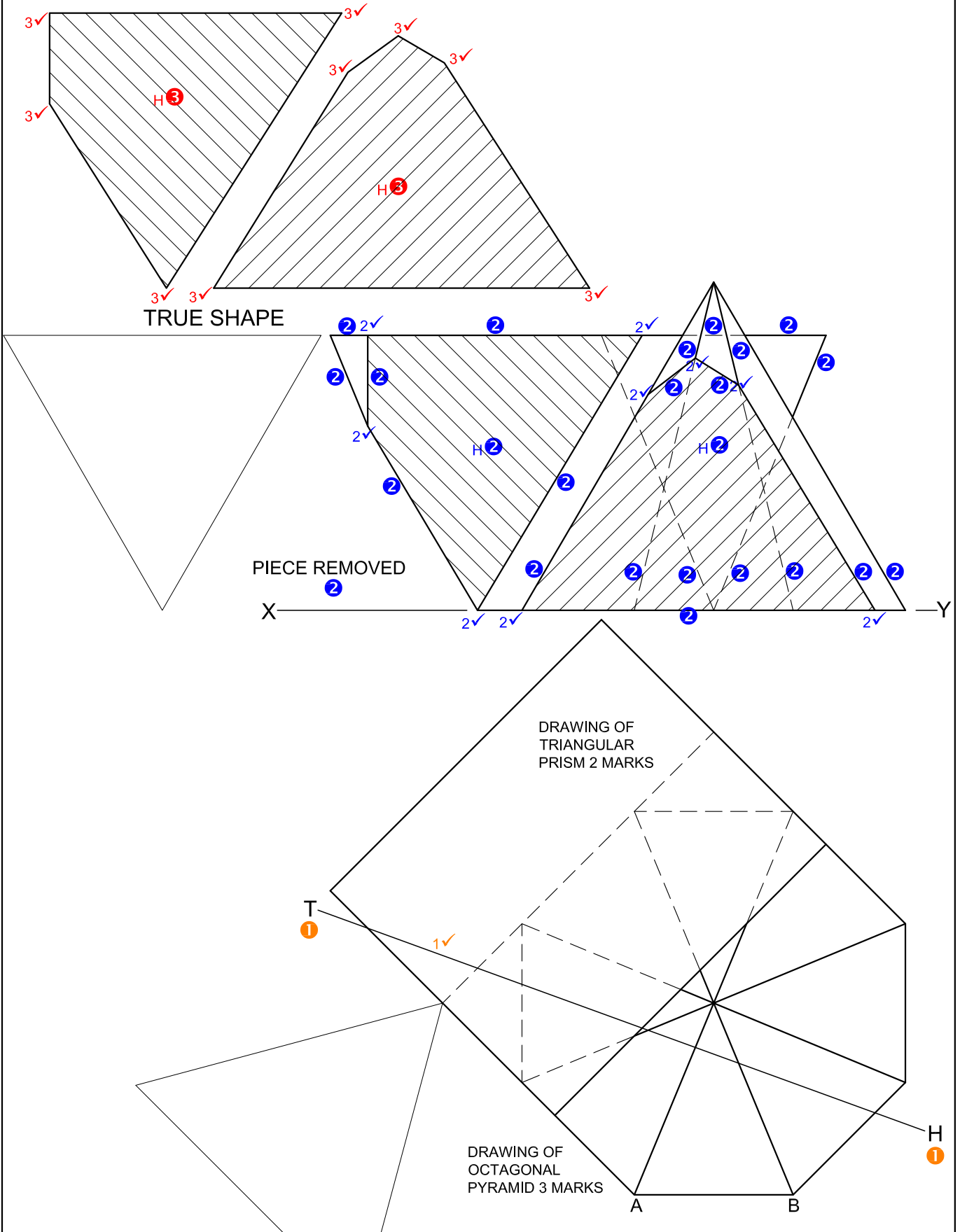
This memorandum consists of 7 pages.

ANSWERS

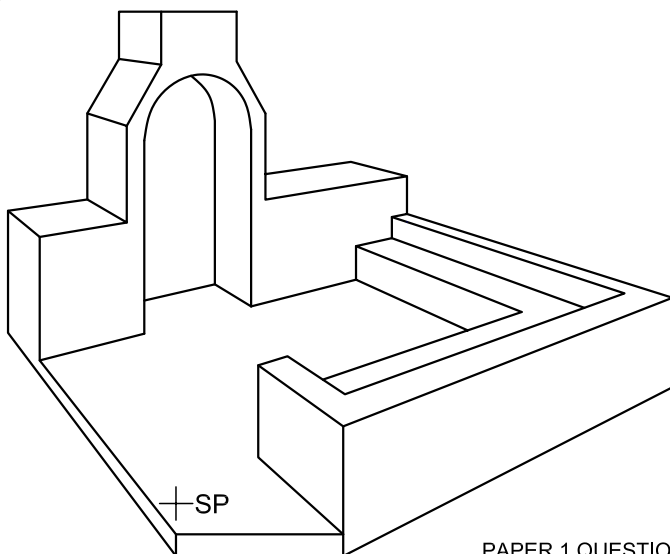
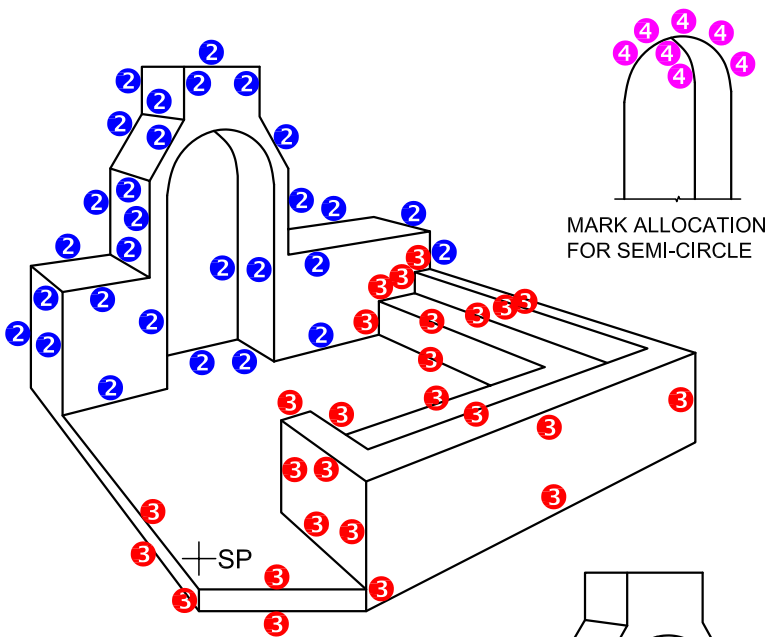
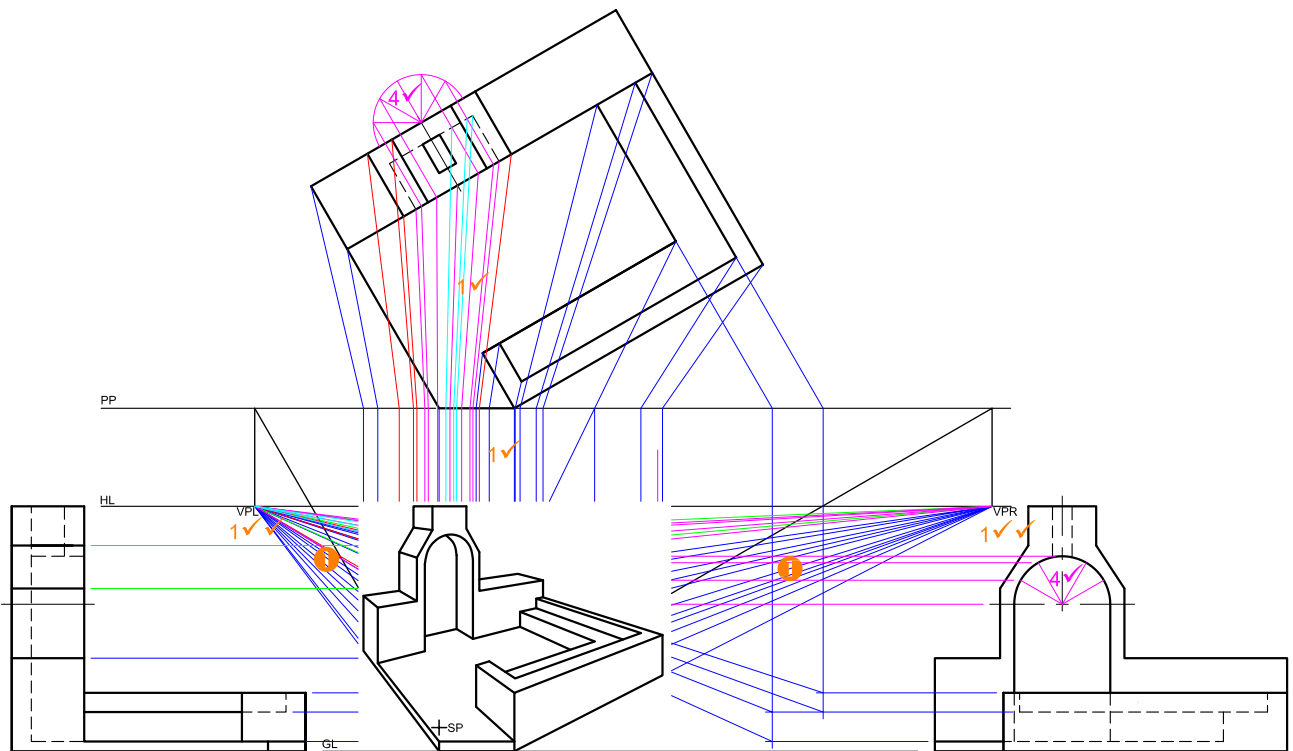
1	01-10-2005	1
2	CHECKING THE DRAWING	1
3	3 M	1
4	Dr AL SATION	1
5	6	1
6	4	1
7	STAND 34	1
8	RED	1
9	BROWN	1
10	DIRECTION OF FLOW	1
11	BOUNDARY LINE	1
12	REMOVE / DEMOLISH	1
13	ADJACENT BUILDING	1
14	DEMOLISH	1
15	4 m	1
16	15,97 m	2
17	NORTH WEST ELEVATION	2
18	102,8 m [calculation 1, answer 2, metre 1]	4
19	354,51 m ² [calculation 1, answer 2, metre ² 1]	4
20	(See below.)	3

TOTAL: 30



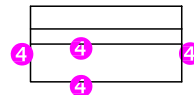


ASSESSMENT CRITERIA		
1	GIVEN TOP VIEW	7
2	FRONT VIEW	21
3	TRUE SHAPE	10
TOTAL		38

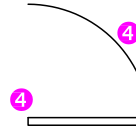


ASSESSMENT CRITERIA		
1	CONSTRUCTION + VPs	7
2	BRAAI	14½
3	SEATING	13
4	SEMI-CIRCLE	5½
TOTAL		40

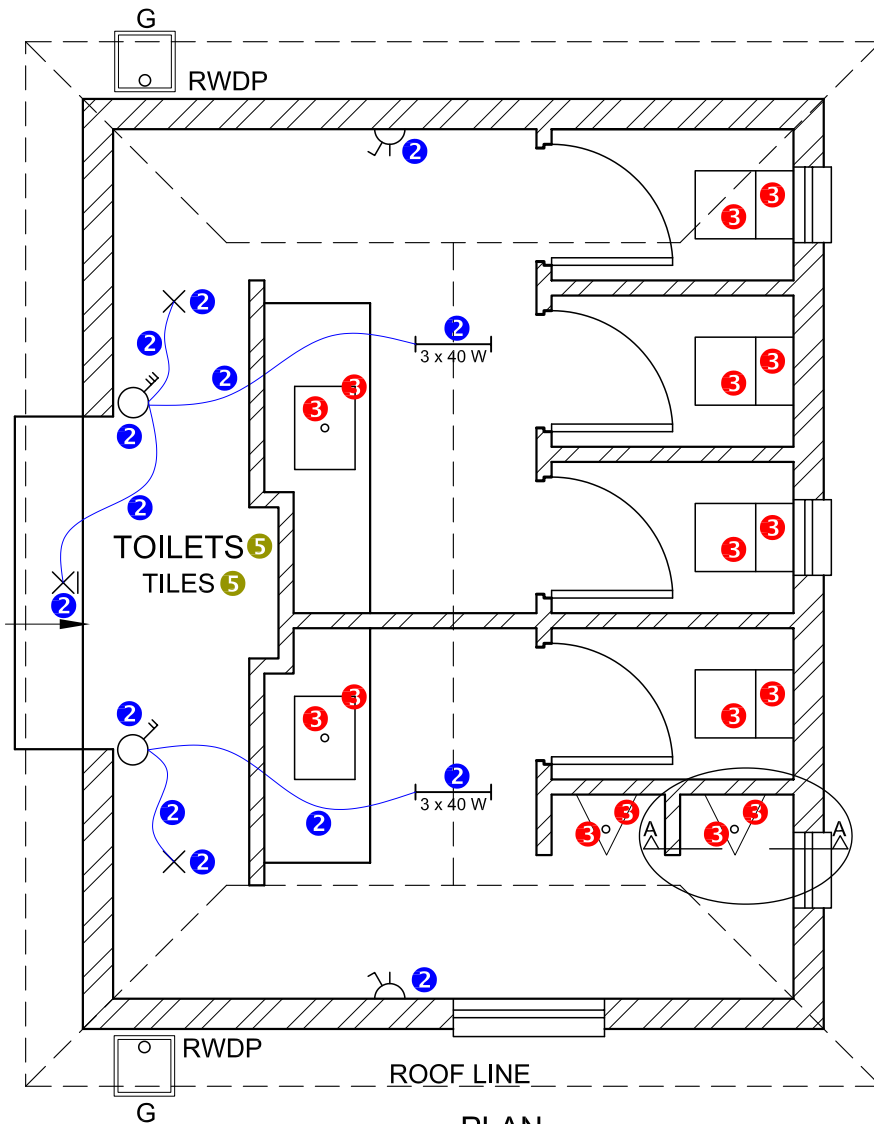
PAPER 1 QUESTION 3
 GRADE 12
 EXEMPLAR 2014
 MEMORANDUM



MARK ALLOCATION FOR A WINDOW
(2 x 4 windows = 8)



MARK ALLOCATION FOR A DOOR
(1 x 4 doors = 4)



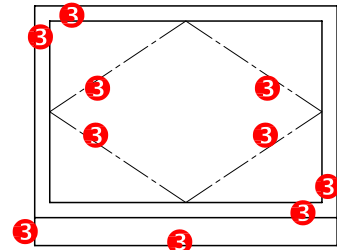
PLAN
SCALE 1 : 50

4 HATCHING ALLOCATION

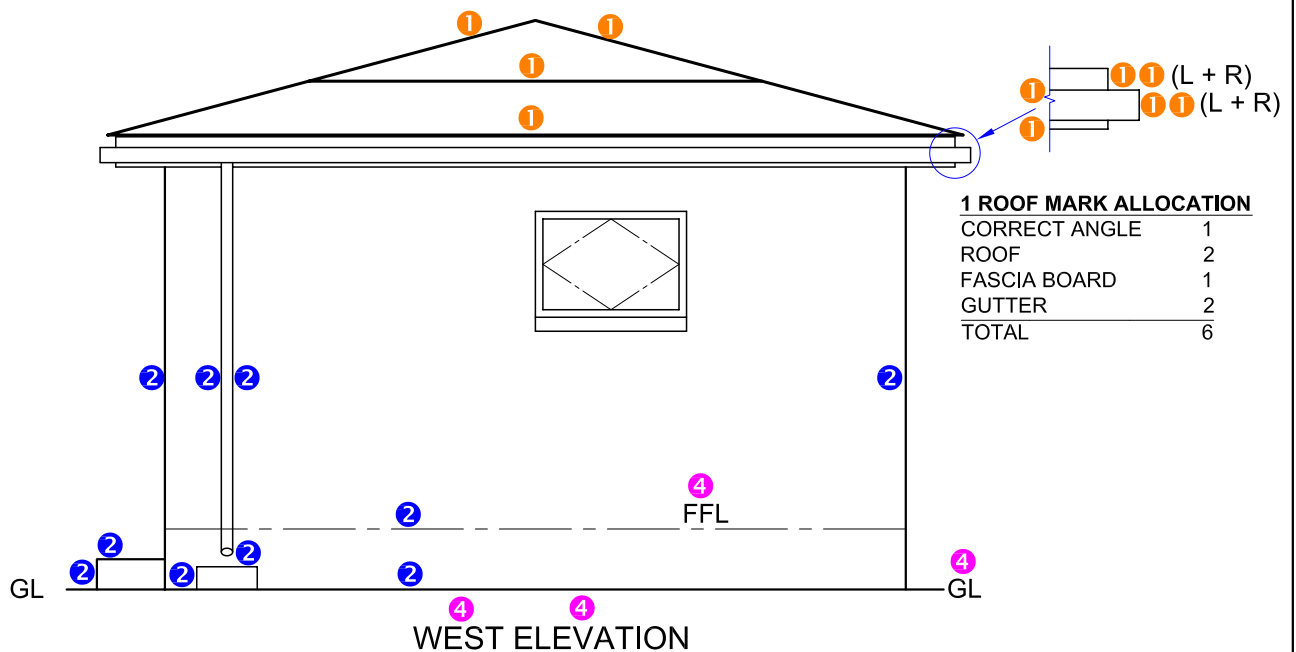
SANS COMPLIANT (TYPE)	2
HATCHING CORRECTLY APPLIED	2
TOTAL	4

ASSESSMENT CRITERIA		
PLAN		
	POSSIBLE	
1	DOORS + WINDOWS	12
2	ELECTRICAL	7
3	FIXTURES	8
4	HATCHING	4
5	LABELS	1
SUBTOTAL		32

PAPER 1 QUESTION 4
GRADE 12
EXEMPLAR 2014
MEMORANDUM



DETAIL OF MARK ALLOCATION FOR THE WINDOW (5)



1 ROOF MARK ALLOCATION

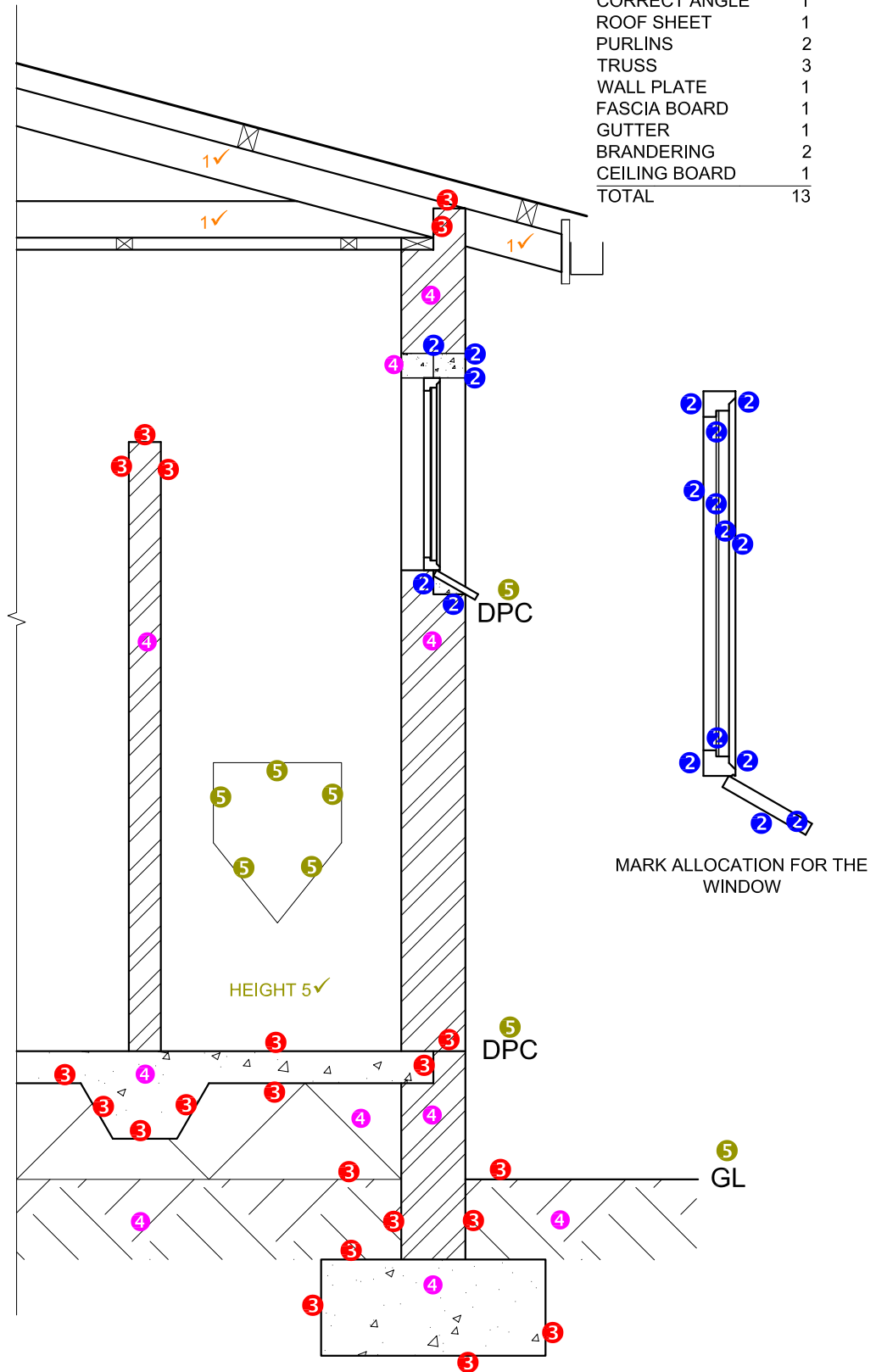
CORRECT ANGLE	1
ROOF	2
FASCIA BOARD	1
GUTTER	2
TOTAL	6

ASSESSMENT CRITERIA		
WEST ELEVATION		
1	ROOF	6
2	WALLS + RWDP + FFL + G + STEP	5
3	WINDOW	5
4	LABELS	2
SUBTOTAL		18

PAPER 1 QUESTION 4
 GRADE 12
 EXEMPLAR 2014
 MEMORANDUM

1 ROOF MARK ALLOCATION

CORRECT ANGLE	1
ROOF SHEET	1
PURLINS	2
TRUSS	3
WALL PLATE	1
FASCIA BOARD	1
GUTTER	1
BRANDERING	2
CEILING BOARD	1
TOTAL	13



MARK ALLOCATION FOR THE WINDOW

ASSESSMENT CRITERIA		
DETAILED DRAWING		
1	ROOF	13
2	WINDOW + SILL	8½
3	FOUNDATIONS + WALLS + SLAB	10½
4	HATCHING	5
5	URINAL + LABELS	5
SUBTOTAL		42